

ONE-PIECE  
**PHOENIX**  
Features:

**CONTRACTOR  
SOLUTIONS**®

- Vitreous China
- 16.5" ADA Comfort Height
- Dual siphon jet flush technology
- Fluidmaster fill & flush valve
- Soft close, quick release seat

What's Included:

- (1) One Soft Close Seat Cover
- Water Supply Line
- All necessary installation hardware



OVERVIEW

LENGTH	27.4"
WIDTH	18.6"
HEIGHT	31" 100
WEIGHT	LBS 12"
*ROUGH-IN	

BOWL AND SEAT

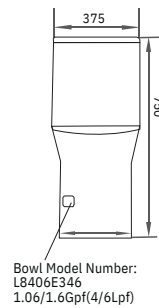
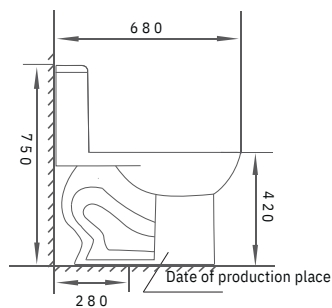
BOWL HEIGHT (not including seat)	16.5"
BOWL SHAPE	Elongated
SEAT	Soft Close
TRAPWAY	Fully Glazed

WATER USAGE

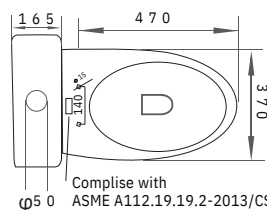
FLUSH	Dual Siphon Jet
LITRES PER FLUSH	4 / 6
MAP RATING	1000 GM HET
MEETS WATER SENSE EPA CRITERIA	Yes

TANK

FINISH	Insulated
FLAPPER DIAMETER	3"



Bowl Model Number:  
L8406E346  
1.06/1.6Gpf(4/6Lpf)



Comply with  
ASME A112.19.19.2-2013/CSA B45.1-13

**27" x 14 3/4" x 29 1/2"**  
**Elongated Bowl Height 16 1/2"**  
**12" Rough-In**  
**Includes soft close seat and Install Kit**

\*This toilet was designed to rough-in at a minimum dimension of 305 mm (12") from finished wall to C/L of outlet