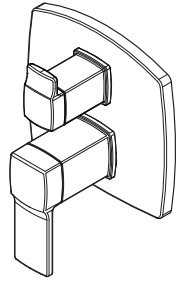


Deckard™ Stacked Diverter Trim

- R89-SDAB Finish(B)
- R89-SDAC Finish(C)
- R89-SDAK Finish(K)



Specifications

Features

- Top Handle Controls Mode
- Bottom Handle Controls Temperature
- Must Order Valve O15-3WDNSS or O15-6WDSS Separately
- Optional 7/8" Extension Kit 951-3649 Available, Order Separately
- Pforever Warranty®

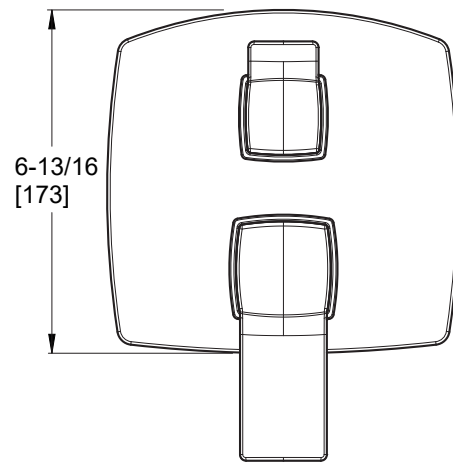
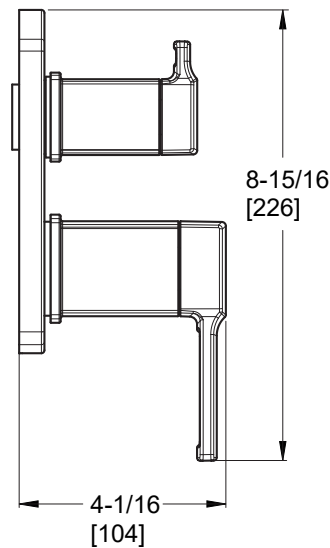
Code Compliance

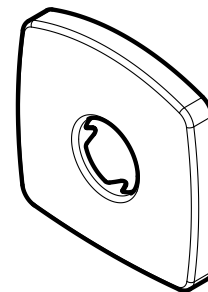
Pfister products are designed and manufactured in compliance with the following standards and codes:

- IAPMO Certified to ASME A112.18.1/CSA B125.1
- ADA Compliant - ANSI A117.1 (Lever Handles Only)



Dimensions





960-331A Finish(A)

960-331B Finish(B)

960-331J Finish(J)

Specifications

Features

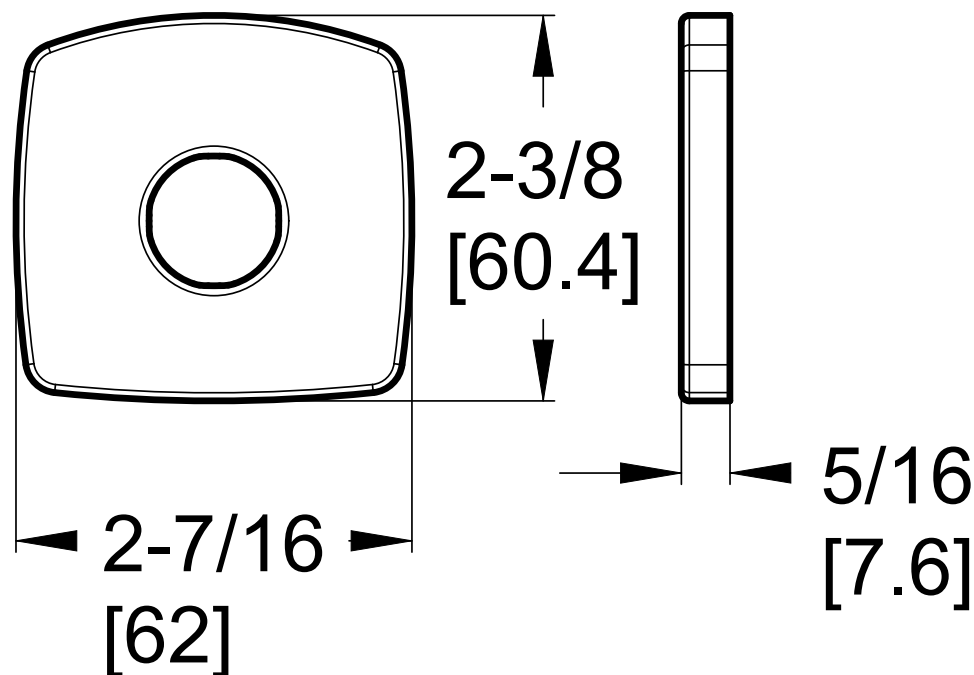
- 1/2" Shower Arm Flange
- All Metal Construction
- PVD Finish (J Finish Only)
- Pforever Warranty®

Code Compliance

Pfister products are designed and manufactured in compliance with the following standards and codes:

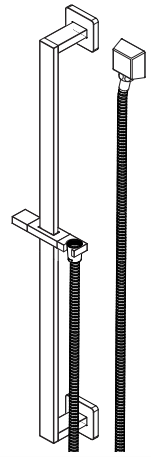
- ASME A112.18.1

Dimensions



Adjustable Slide Bar Kit

- HSK-41SHWB Finish(B)
- HSK-41SHWBG Finish(BG)
- HSK-41SHWC Finish(C)
- HSK-41SHWD Finish(D)
- HSK-41SHWK Finish(K)



Specifications

Features

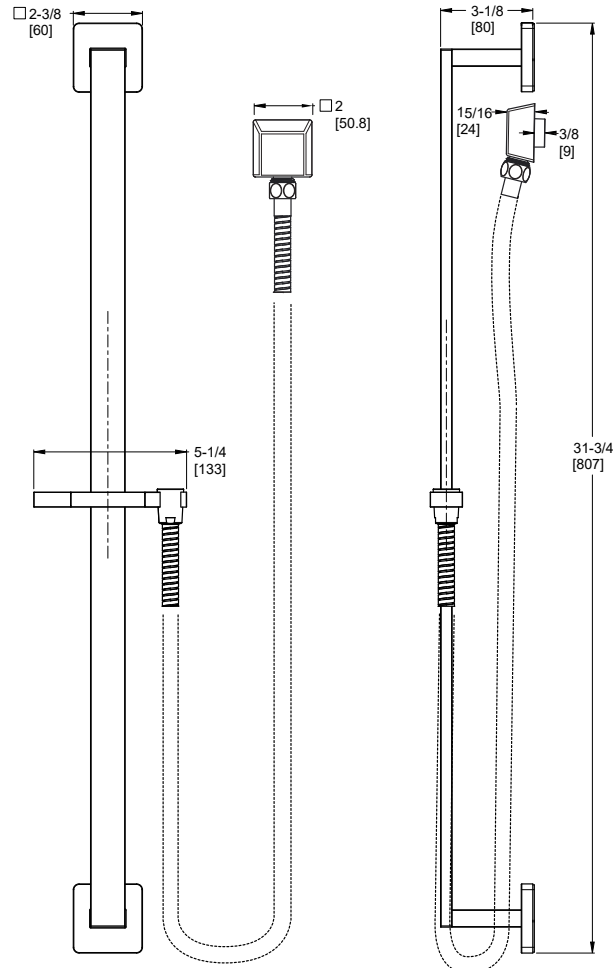
- 60" Metal Hose
- Adjustable Heights
- All Metal Construction
- Handheld Shower Not Included
- Mounting Hardware Included
- Optional Flanges Included
- Valve Not Included
- Limited Lifetime Warranty

Code Compliance

Pfister products are designed and manufactured in compliance with the following standards and codes:

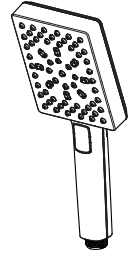
- IAPMO Certified to ASME A112.18.1/CSA B125.1

Dimensions



Square Modern Handheld

- HSC-04SHWBG Finish(BG)
- HSC-04SHWC Finish(C)
- HSC-04SHWD Finish(D)
- HSC-04SHWK Finish(K)
- HSC-04SHWSDB Finish(SDB)



Specifications

Features

- 1.75 GPM Flow Rate
- 6 Function Handheld (Full Spray, Massage, Full/ Massage Combo, HydroFuse™, Full/HydroFuse™ Combo, and Pause)
- Handheld Shower Only
- Easy to Clean Nozzles
- Push-Button Function Switching
- Spot Defense™ Finish Resists Spots and Fingerprints (SDB Finish Only)
- Limited Lifetime Warranty

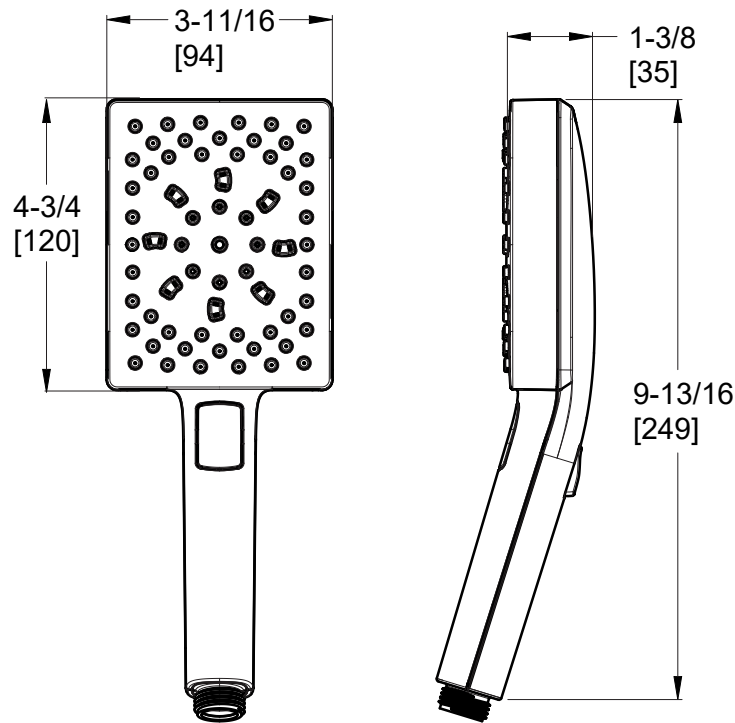
Code Compliance

Pfister products are designed and manufactured in compliance with the following standards and codes:

- IAPMO Certified to ASME A112.18.1/CSA B125.1 including:
 - ASME A112.18.3 (Backflow Prevention)
- EPA WaterSense Certified
- CEC Certified/CALGreen compliant
- ADA Compliant - ANSI A117.1

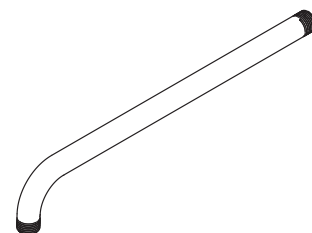


Dimensions



Showerarm

- 973-103A Finish(A)
- 973-103D Finish(D)
- 973-103J Finish(J)
- 973-103Y Finish(Y)



Specifications

Features

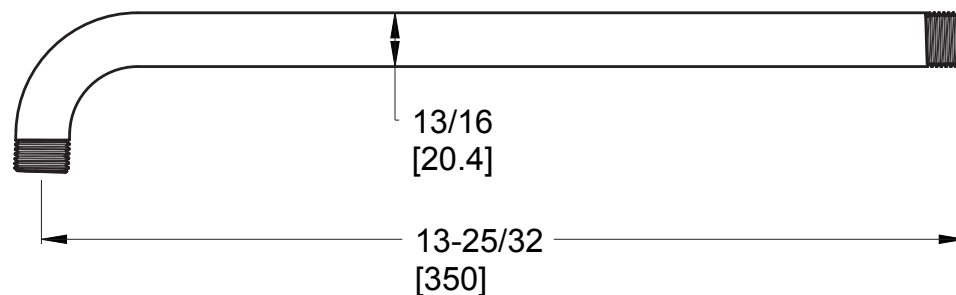
- Pforever Warranty®

Code Compliance

Pfister products are designed and manufactured in compliance with the following standards and codes:

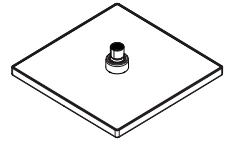
- ASME A112.18.1

Dimensions



10" Square Showerhead

- USH-04SHWB Finish(B)
- USH-04SHWBG Finish(BG)
- USH-04SHWC Finish(C)
- USH-04SHWD Finish(D)
- USH-04SHWK Finish(K)



Specifications

Features

- Single Function Rain Showerhead
- 1.75 GPM Flow Rate
- Brass Ball Joint
- Wipe Clean Nozzles
- Limited Lifetime Warranty

Code Compliance

Pfister products are designed and manufactured in compliance with the following standards and codes:

- IAPMO Certified to ASME A112.18.1/CSA B125.1
- EPA WaterSense Certified
- CEC Certified/CALGreen compliant



Dimensions

