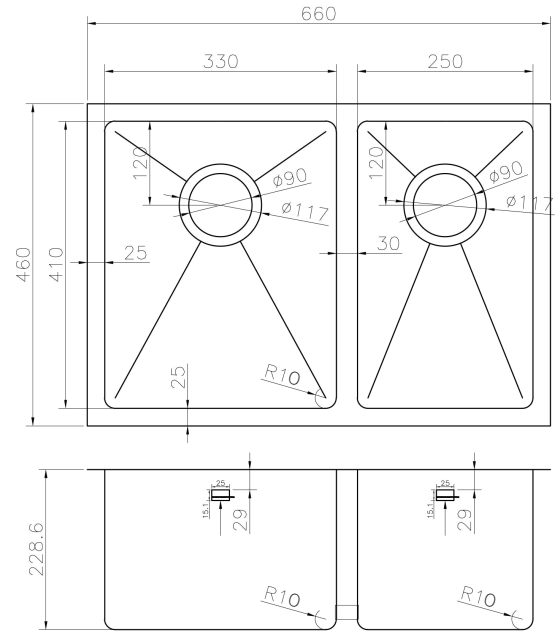


ONEX[®]

STAINLESS STEEL SINKS



MODEL OU2618-SQR R10

OVERALL SIZE 660 mm X 460 mm

27" X 21"

BOWL SIZE 330 mm X 410 mm / 250 mm X 410 mm

13" X 16" / 9.84" X 16"

DEPTH 228.6 mm / 9"

- 304 brushed finish stainless steel 18 gauge
- Stainless steel strainer, clips and template included
- Sound deadening pads
- Drain located towards rear to provide more space under the sink
- Product certified ASME A112.19.3, CSA B45.0, and CSA B45.4