

PIA 3060 IFS AFR CORNER

60 3/8" x 29 1/2" x 19 3/4" Bathtub



OPTIONS

COLOR(S)	CONFIGURATION(S)	SIZE(S)	SYSTEM(S)
White	Left Drain / Corner Left	60 x 30	Activ-Air
	Left Drain / Corner Right	60 x 32	Soaker - no system
	Right Drain / Corner Left	60 x 36	
	Right Drain / Corner Right	72 x 32	
			72 x 36

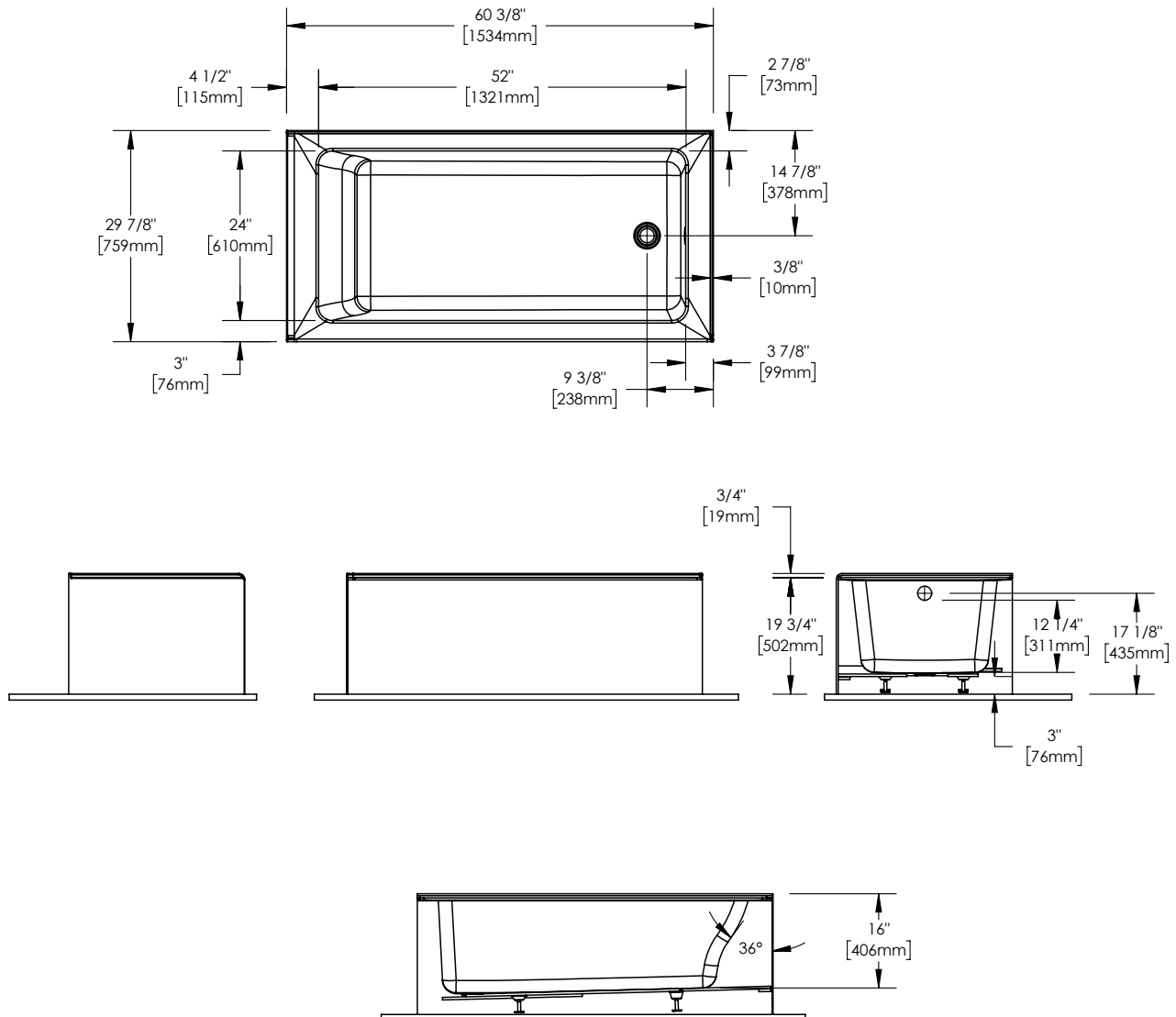
FEATURES

- Acrylic surface resistant to stains
- Corner installation
- Leveling legs for an easy installation
- Above-the-floor rough (AFR) so pipes can be routed without breaking ground or relocating the drain
- Double-sided tiling flange and 19.5 in. skirt integrated to the bathtub
- Available in left-hand or right-hand drain configuration
- Thermoformed acrylic reinforced with fiberglass for a durable bathtub
- Activ-Air bathtub system available
- Standard round drain

ATTRIBUTES

- Installation Type : Corner
- Above-the-Floor Rough : Yes
- Material : Acrylic
- Residential Warranty : 25
- Commercial Warranty : 1 Year



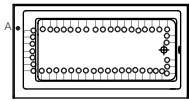
60 3/8" x 29 1/2" x 19 3/4" Bathtub


**Wood support design may vary.
All dimensions are approximate.
Structure measurements must be verified
against the unit to ensure proper fit.**

DIMENSIONS

PRODUCT LENGTH	BATHING WELL LENGTH	PRODUCT WIDTH	BATHING WELL WIDTH	PRODUCT HEIGHT
60 3/8"	45 7/8"	29 1/2"	21 1/4"	19 3/4"
DEEP SUMP HEIGHT	DECK WIDTH	SKIRT HEIGHT	WEIGHT	DRAIN SIZE
12 1/4"	3"	19 3/4"	85 Lbs	2"
DRAIN CLEARANCE	SHIPPING LENGTH	SHIPPING WIDTH	SHIPPING HEIGHT	
3"	33 1/2"	22.13"	22 1/2"	

SYSTEMS



Activ-Air left drain
Activ-Air right drain

Included: 32 Activ-Air micro-jets, one blower with heating element (200 W) and one pneumatic control.

Project: _____

Contractor: _____

Representative: _____

Date: _____

Tel: _____

Notes: _____
