

New Town 6030 IFS Acrylic Alcove Bathtub

Model number:

105454-000-001-002

Dimensions: 59.75" x 30" x 20.5"

Installation: Alcove

Material: Acrylic

Standard Features:

- Unique feature: minimalist look with discreet armrests
- 3" Above-the-Floor Rough (AFR) included
- Textured bottom
- Right or left drain
- Integrated apron with access panel when equipped with a system
- Alcove installation with integrated tiling flange

Systems:

10 microjets

Aerosens



Standard Colors:



White



Bone



Biscuit

Certifications

MAAX products adhere to one or more of the following certifications:



MAAX

New Town 6030 IFS Acrylic Alcove Bathtub

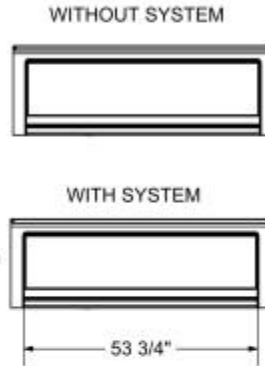
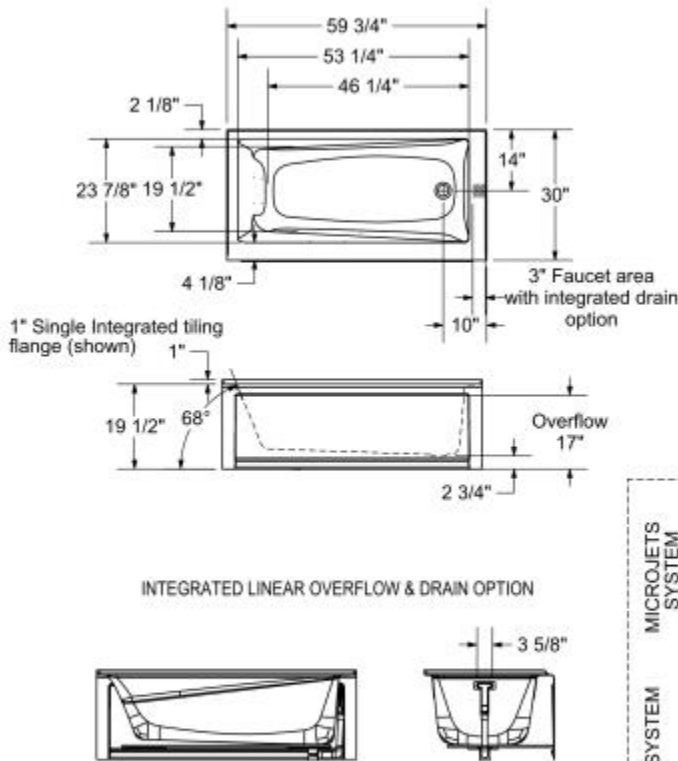
Model number:

105454-000-001-002

Dimensions: 59.75" x 30" x 20.5"

Installation: Alcove

Material: Acrylic

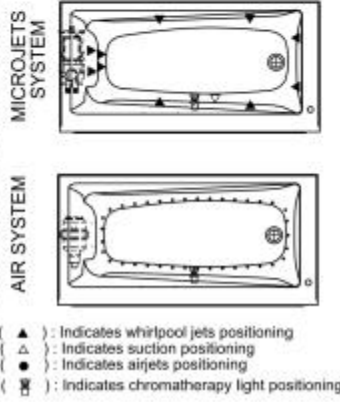


INTEGRATED LINEAR OVERFLOW & DRAIN OPTION



Wood support design may vary.
Single integrated tiling flange: 1" height x 1/4" thickness (shown)

All dimensions are approximate. Structure measurements must be verified against the unit to ensure proper fit.



- ▲ : Indicates whirlpool jets positioning
- ▷ : Indicates suction positioning
- : Indicates airjets positioning
- ◻ : Indicates chromatherapy light positioning

Dimensions

59 3/4 x 30 x 20 1/2 In.
(1518 x 762 x 521 mm)

Water Capacity

44 gallons - 166 liters

Weight

77 lbs - 35 kg

Bathing Well

46 1/4 In. x 19 1/2 In.
(1175 mm x 495 mm)

Deep Sump Height

16.25 In. - 413 mm

Deck Width

4.125 In. - 105 mm

Drain location:

Left

Right

Project: _____

Contractor: _____

Representative: _____

Date: _____

Tel: _____

Notes: _____

MAAX