

B3X 6032 Acrylic Alcove Left Shower Base

Model number:

420022-501-001-000

Dimensions: 59.875" x 31.875" x 4.5"

Installation:

Material: Acrylic

Standard Features:

- Acrylic alcove shower base with square drain
- Designed for tiled wall application with integrated water management features
- Integrated leak proof tiling flanges and weep holes to ensure water management
- Chrome grid and complete drain assembly included (ABS or PVC available)
- Multiple drain grid finishes available to match other finishes in your bathroom
- Optimized floor design improving showering space



Standard Colors:



White

Certifications

MAAX products adhere to one or more of the following certifications:



MAAX

B3X 6032 Acrylic Alcove Left Shower Base

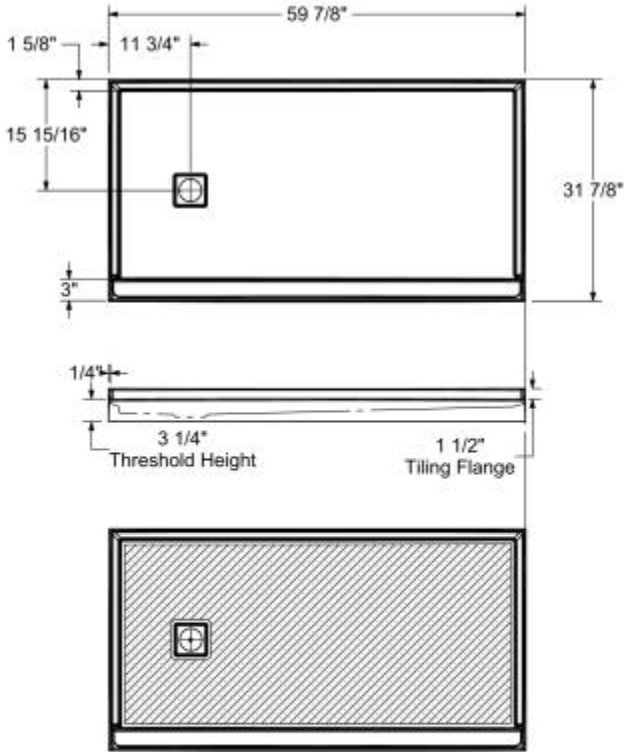
Model number:

420022-501-001-000

Dimensions: 59.875" x 31.875" x 4.5"

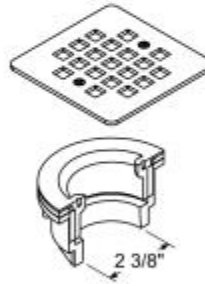
Installation:

Material: Acrylic



The hatched area represent the antislip surface

DRAIN INCLUDED ON B3X SQUARE ONLY



Dimensions

60 x 32 x 4 1/2 In.
(1521 x 810 x 114 mm)

Weight

55 lbs - 25 kg

Shape

Rectangular

Drain location:

Left

All dimensions are approximate. Structure measurements must be verified against the unit to ensure proper fit.

Project:

Contractor:

Representative:

Date:

Tel:

Notes:

MAAX