

### Features

- Vitreous china.
- Available as above-counter, countertop, or wall-mount installation.
- Round basin.
- Without overflow.
- No faucet holes; requires wall- or counter-mount faucet.
- Conical Bell® Design.
- 16-1/4" (413 mm) diameter

### Recommended Accessories

K-7114 Pop-Up Drain  
K-7129 Drain  
K-9018 P-Trap  
K-9655 Wall-Mount Vessel Bracket

### Components

Additional included component/s: Adjustable linkage.



ADA CSA B651

### Codes/Standards












ASME A112.19.2/CSA B45.1  
ADA  
ICC/ANSI A117.1  
CSA B651

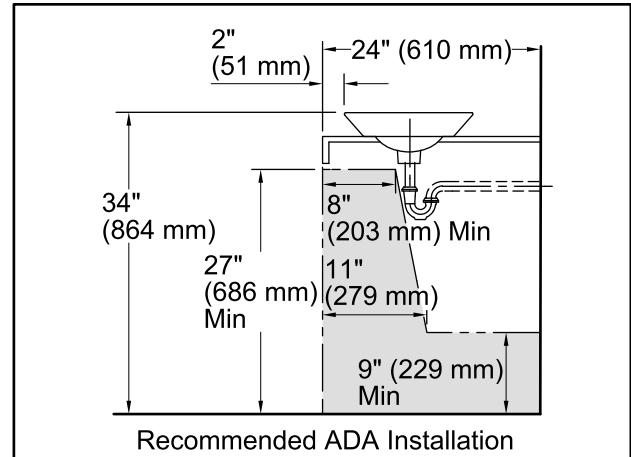
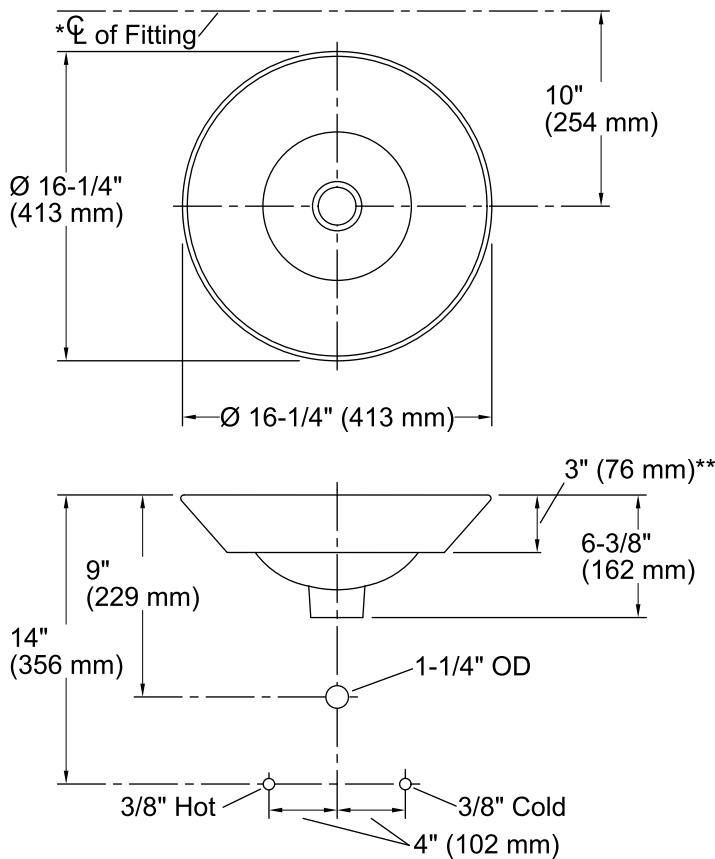
### KOHLER® One-Year Limited Warranty

See website for detailed warranty information.

### Available Color/Finishes

*Color tiles intended for reference only.*

Color	Code	Description
	0	White
	96	Biscuit
	47	Almond
	NY	Dune
	95	Ice™ Grey
	G9	Sandbar
	K4	Cashmere
	58	Thunder™ Grey
	7	Black Black™
	HW	Bouclé™ Muslin
	HV	Bouclé™ Tweed



### Technical Information

All product dimensions are nominal.

Bowl configuration:	Single
Installation:	Vessel, Wall-mount
Bowl area (Only):	Diameter: 15-7/8" (403 mm) Water depth: 4-1/4" (108 mm)
Drain hole:	1-3/4" (44 mm)
Template:	1002980-7, required, included

### Notes

Install this product according to the installation instructions.

Product does not have an overflow.

\*Spout must be 5" (127 mm) long (min) for adequate clearance into the bathroom sink when installed with centerline as shown.

NOTICE: Countertop manufacturer or cutter must use the cut-out template provided with the product, or a current one provided by Kohler Co. (call 1-800-4-KOHLER). Kohler Co. is not responsible for cutout errors when the incorrect cut-out template is used.

ADA, CSA B651 compliant when installed to the specific requirements of these regulations.