

**Tecturis E**  
**Single-Hole Fine 110, 1.2 GPM**  
 Finish: **Chrome** Part no. : **73021001**



**Description**

**Features**

- Handle design: lever handle
- Spray type: Waterfall Stream
- Max. flow rate: 1.2 GPM
- Ceramic cartridge

**Technology**



**Design awards**



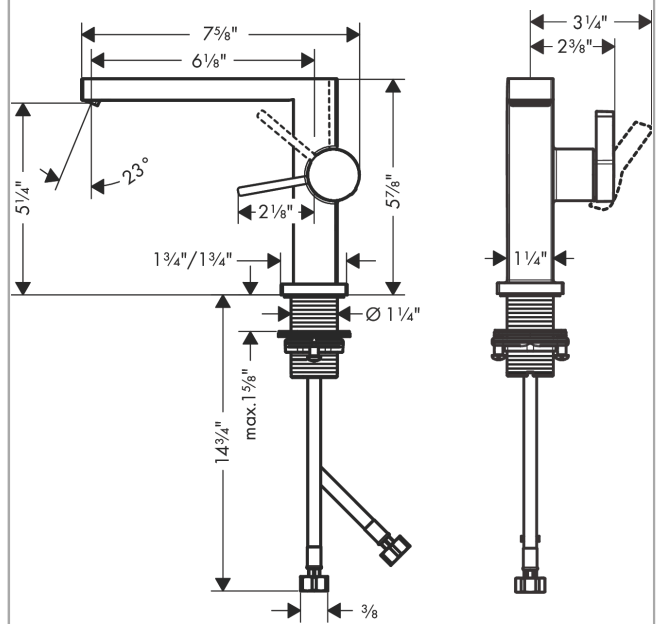
**Compliance / Sustainability**



**Product image**



**Scale drawing**

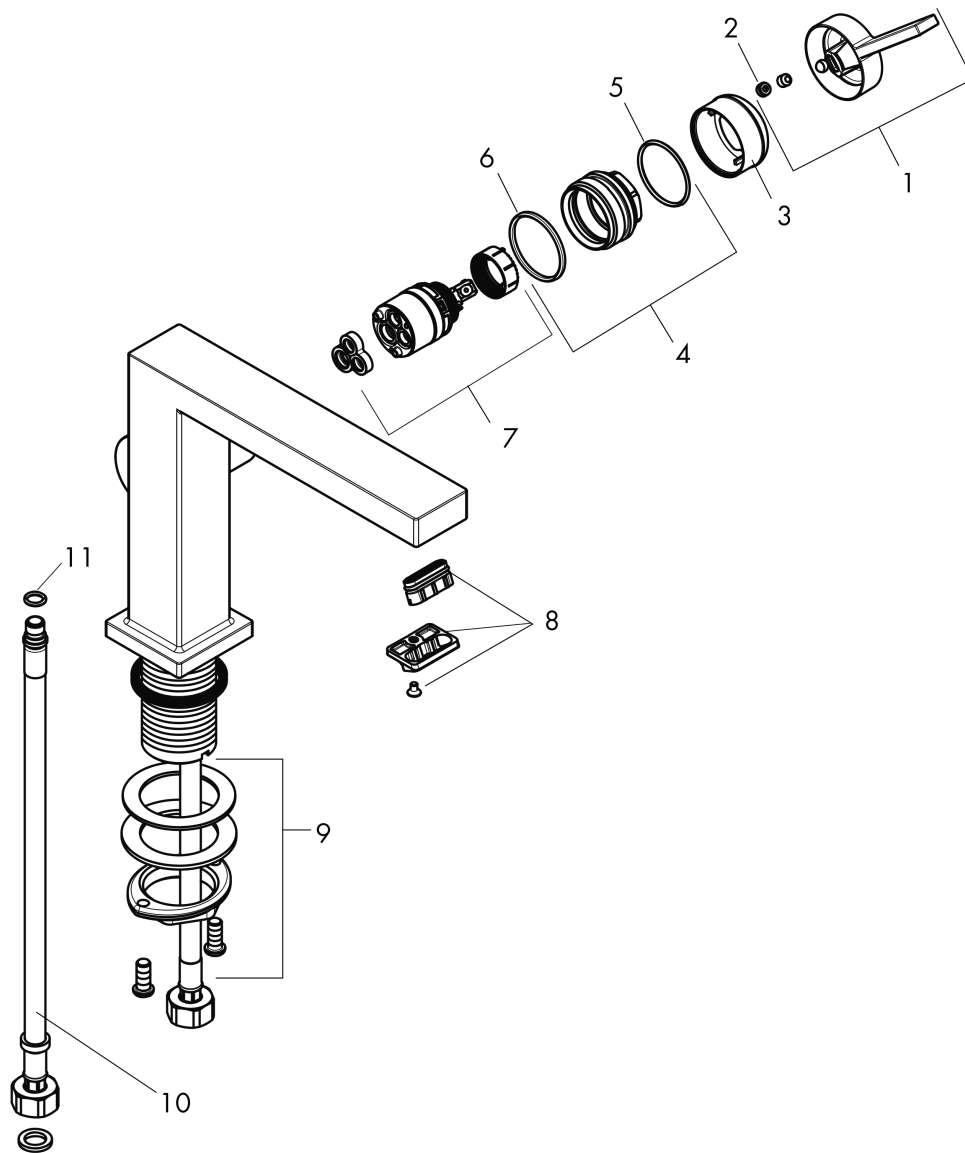


**Tecturis E**  
**Single-Hole Fine 110, 1.2 GPM**  
 Finish: **Chrome** Part no. : **73021001**



Exploded drawing

Year of production: >02/24



**Tecturis E**  
**Single-Hole Fine 110, 1.2 GPM**  
 Finish: **Chrome** Part no. : **73021001**



Spare parts list

Year of production: >02/24

Pos.	Description	Part no.	PC	PU
1	handle	94997000	0	1
2	screw cover	93735460	0	1
3	escutcheon	94987670	0	1
4	nut	94996000	0	1
5	O-ring 28x1,5	98421000	0	1
6	O-ring 29x2	98391000	0	1
7	cartridge, assy	93760000	0	1
8	aerator cpl.	94994000	0	1
9	fixing set (Ø 32)	13961000	0	1
10	connection hose 23½" M8x0,75 3/8"	98600001	0	1
11	O-ring 7x1,5	98422000	0	1