

**Locarno**  
**Wall Outlet with Check Valves**  
 Finish: **Chrome** Part no. : **04839000**

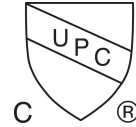


**Description**

**Features**

- metal connection angle
- 1/2"

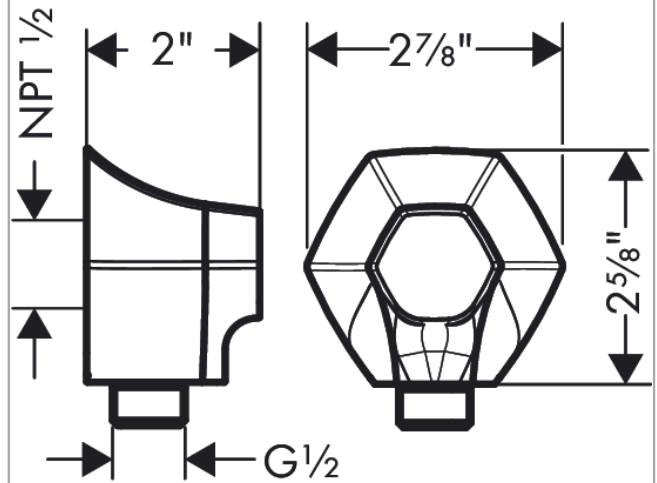
**Compliance / Sustainability**



**Product image**



**Scale drawing**



**Locarno**

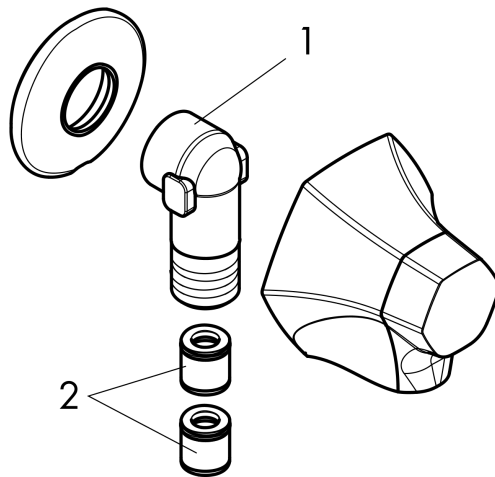
**Wall Outlet with Check Valves**

Finish: **Chrome** Part no. : **04839000**



**Exploded drawing**

Year of production: >02/21



**Locarno**

**Wall Outlet with Check Valves**

Finish: **Chrome** Part no. : **04839000**



**Spare parts list**

Year of production: >02/21

<b>Pos.</b>	<b>Description</b>	<b>Part no.</b>	<b>PC</b>	<b>PU</b>
1	connection angel	98531001	0	1
2	set of non return valves DW 15	94074000	0	1