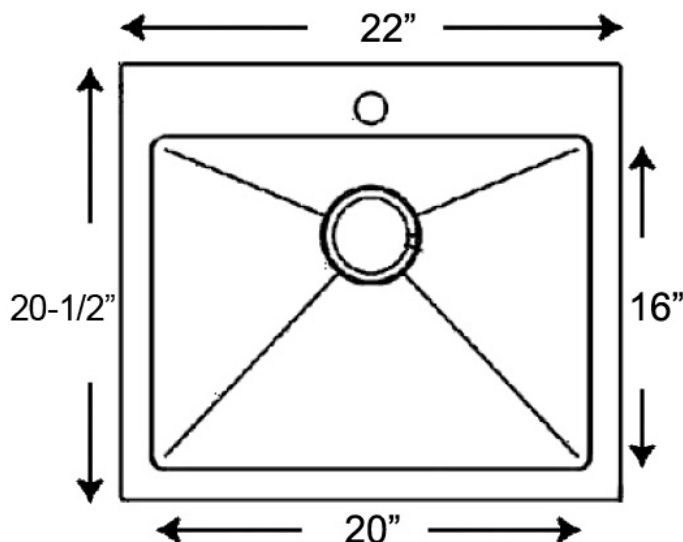


B1205 Top-mount Stainless Steel Single Bowl Laundry Sink



Colour Finish
Stainless Steel

Model No.
B1205

Description

- Dimensions: 22" x 20-1/2" & 12" Deep
- Minimum Cabinet Size: 24"
- 18 Gauge Type 304 Stainless Steel Top Mount Sink
- Brushed Satin Finish
- Stone Guard undercoating over a rubber pad
- 3 1/2" drain opening
- Supplied with installation clip, template, and strainer
- Stainless Steel Grid Available
- cUPC certified
- Limited Lifetime Warranty

Available accessories

- BG1205 Grid
- Colander Strainer - Stainless Steel
- Drying Rack

MAIN LOCATION

BRISTOL SINKS
56 Firestone Blvd
London, Ontario
N5W 6E6

WESTERN LOCATION

BRISTOL SINKS
964 72nd Avenue NE
Calgary, Alberta
T2E 8V9

CONTACT

Tel: 1 (800) 930-0214
Fax: 1 (866) 310-7580
Email: sales@bristolsinks.com